

FLEYG[®] HIGHWAY

HOW DOES FLEYG HIGHWAY WORK

Steel road plates are indispensable on high-performance roads to guide trucks, heavy transporters and vehicles over obstacles on construction sites.

Previously, steel road plates were generally installed by pouring concrete ramps or not at all. This is either time-consuming, dangerous or expensive. Installed steel road plates using this method make a significant amount of noise when being crossed over and strong impact forces act on the chassis of the vehicles.

THE SOLUTION IS FLEYG[®] HIGHWAY

The **FLEYG HIGHWAY** ramp is made predominantly from rubber, which offers a noise-dampening effect and crossings are much more pleasant for all motorists.

BENEFITS OF FLEYG HIGHWAY



Quick and easy to lay



Can be reused



Cost-saving compared to ramps made using a coating



Withstands the highest loads

Fleyg Highway is a Europe-wide patented product from FLEYG AG

FLEYG AG – Bäumleingasse 22 – 4051 Basel – sascha@fleyg.ch – www.fleyg.ch



www.facebook.com/Fleyg.ch



[www.linkedin.com/fleyg-stahlrampenplatten](https://www.linkedin.com/company/fleyg-stahlrampenplatten)



www.instagram.com/fleyg

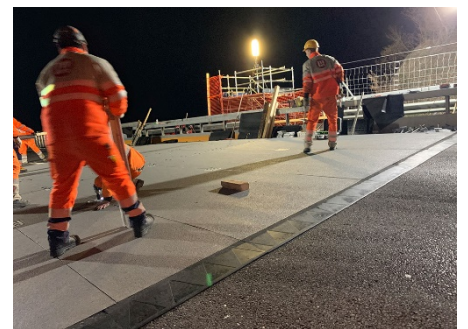
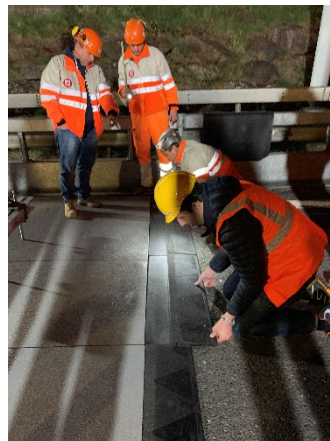
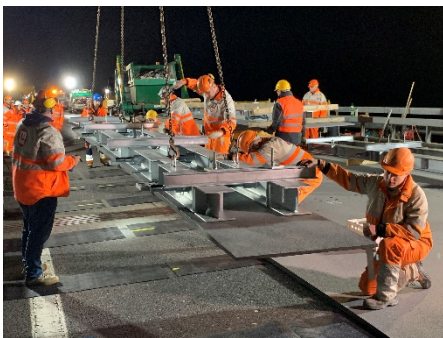
FLEYG[®] HIGHWAY

COMPARISON

	Version with asphalt	Version with Fleyg Highway
Usability	Asphalt can only be used once or not at all on high-performance roads	Fleyg Highway can be reused again and again
Flexibility	Asphalt has to be renewed and repaired again and again	Fleyg Highway can be laid quickly and used flexibly
Safety	<ul style="list-style-type: none">• Strong blows when crossing• Not easily visible to all road users	<ul style="list-style-type: none">• Minimized blows when crossing• Increased safety for road users• Environmentally friendly• Easy to lay

Construction site: Highway renovation Murg – Walenstadt

Client: Federal Roads Office, FEDRO



Fleyg Highway is a Europe-wide patented product from FLEYG AG

FLEYG AG – Bäumleingasse 22 – 4051 Basel – sascha@fleyg.ch – www.fleyg.ch



www.facebook.com/Fleyg.ch



www.linkedin.com/fleyg-stahlrampenplatten

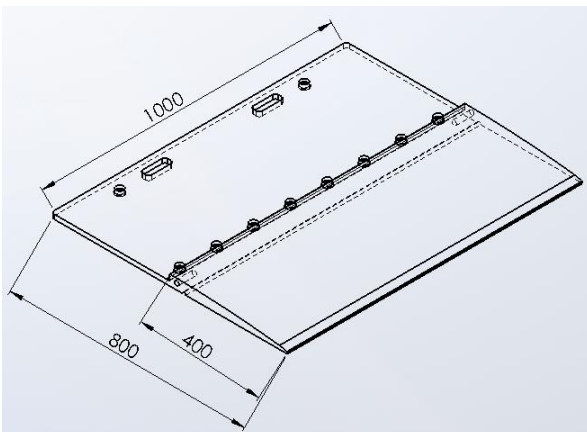


www.instagram.com/fleyg

FLEYG[®] HIGHWAY

DATA SHEET

Type	FLEYG Highway
Material	Recycled rubber specially designed and created in-house with tensile/pressure-bearing properties
Surface	Water-repellent with pearl texture
Patents	Beyeler & Fischer GmbH
Technical Details	FLEYG Highway 1000 x 800 x 35 mm / 19 kg / equipped with 10 magnets
Features	<ul style="list-style-type: none">• Easy crossing of steel plates in demanding environments• Smooth crossings on high-performance roads• Quick and easy to lay• Sustainable and environmentally friendly• Can be reused again and again



Fleyg Highway is a Europe-wide patented product from FLEYG AG

FLEYG AG – Bäumleingasse 22 – 4051 Basel – sascha@fleyg.ch – www.fleyg.ch



www.facebook.com/Fleyg.ch



www.linkedin.com/fleyg-stahlrampenplatten



www.instagram.com/fleyg